

Light creates charisma



by **klir**[®]
lichtwerk

LIGHTING
charismatic

for office and communication





DESIGN
minimalist

Scale 1:1





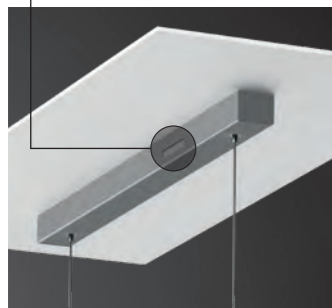
klir-HIOSA
 surface-mounted canopy made of aluminium profile, natural anodised. Individual wire suspension, translucent with integrated power cable.



klir-HIOSE for control gear for ceiling installation
 Four different recessed variants have been adapted to the common ceiling systems and must be ordered separately.

klir® FEATURES

Especially smart with modern control.



Operation via free app and further system components.

Indirect component with extremely wide-beam distribution thanks to continuous acrylic profile in convex design.

Indirect 31 % | UGR lat. 11,1
 Direct 69 % | UGR long. 11,9

Direct component through integrated micro-cell grid.

Suitable for computer workstations
 $65^\circ < 1000 \text{ cd/m}^2$.

$UGR \leq 16$ in accordance with DIN-EN 12464-1.

≥ 90 Colour rendering

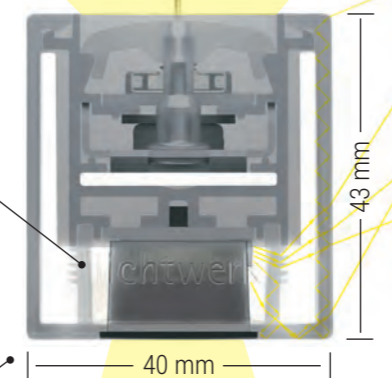
3000 K
 4000 K Light colours

Individual wire suspension, translucent with integrated power cable.



Side areas made of acrylic glass with integrated linear lens.

Minimised housing dimensions.



Light line installation with continuous appearance.



Detailed and current data at www.lichtwerk.de

www.lichtwerk.de



inspired by light

